

# SPECIFICATIONS

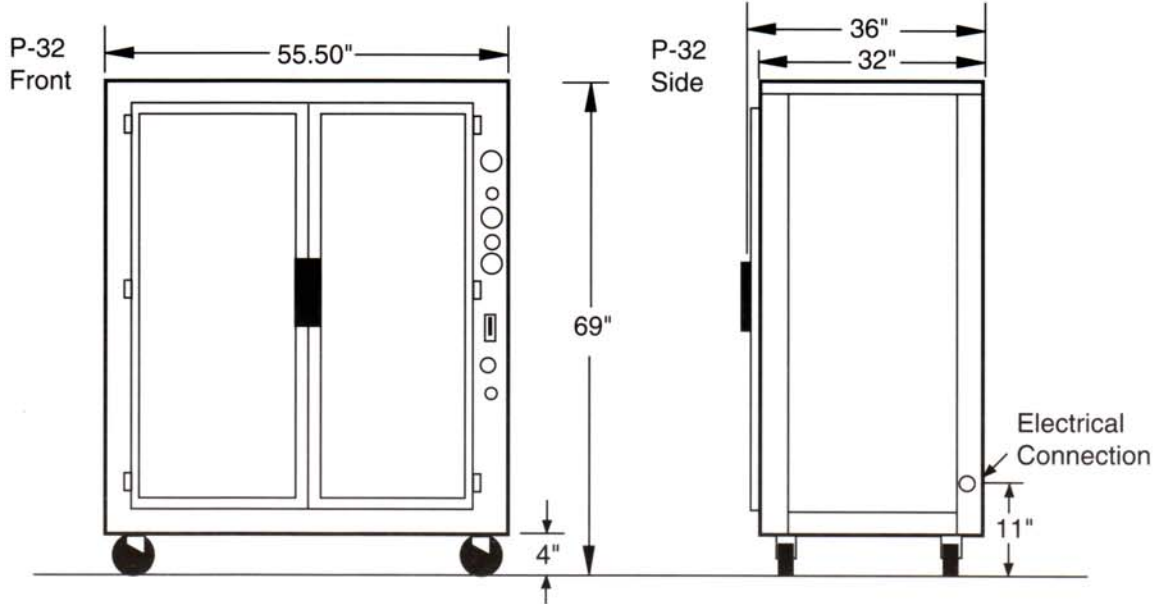
## P-32

### Interior Dimensions:

57" Height  
 45" Width  
 30" Depth  
 3" Between Rack Slides

### Overall Dimensions:

69" Height  
 55 1/2" Width  
 36" Depth



# ELECTRICAL

## P-32 Proofer: 2440 watts

MODEL#	VOLTAGE AND PHASE	NEUTRAL	TOTAL LOAD(AMPS)	CONNECTION TYPE
P-32	120-1	REQUIRED	20.5	NO CORD SUPPLIED
	208-1-60	REQUIRED	11.7	NO CORD SUPPLIED
	240-1	REQUIRED	10.2	NO CORD SUPPLIED

\*\*Please Specify Electrical Requirements When Ordering

# WARRANTY

One Full Year on all parts from date of purchase

# SHIPPING

Approximately 713 lbs. F.O.B. Bradenton, Florida

**MODEL**  
**P-32**

**PROOFER**

**DELUXE**  
 EQUIPMENT COMPANY, INC.