

# SPECIFICATIONS

## CR 2/PC-6

### Oven Interior Dimensions:

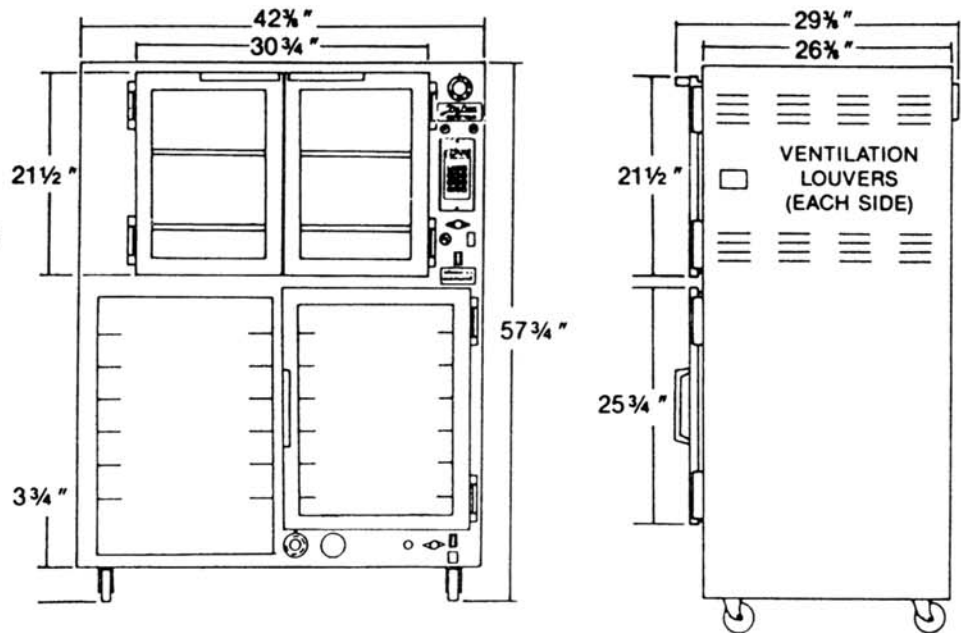
- 28" Width
- 24" Depth
- 20" Height

### Proofer Interior Dimensions:

- 20" Width
- 28" Depth
- 30" Height

### Exterior Dimensions:

- 42 3/8" Width
- 29 3/8" Depth
- 57 3/4" Height with Casters



ALLOW 2" MINIMUM VENTILATION CLEARANCE – RIGHT AND LEFT HAND SIDE

# ELECTRICAL

**CR 2 Oven: 3520 watts • 3.5 kw      PC-6 Proofer: 1800 watts • 1.8 kw**

MODEL#	VOLTAGE AND PHASE	NEUTRAL	TOTAL LOAD(AMPS)	CONNECTION TYPE
<b>CR 2 OVEN</b>	120-1-60	REQUIRED	31.0	NO CORD
	120/208-1-60	REQUIRED	18.0	NO CORD
	120/240-1-60	REQUIRED	16.0	NO CORD
	120/208-3-60	REQUIRED	12.0	NO CORD
	120/240-3-60	REQUIRED	10.0	NO CORD
<b>PC-6 PROOFER</b>	120-1-60	REQUIRED	15.0	6' POWER CORD

\*\*Please Specify Electrical Requirements When Ordering

# WARRANTY

One Full Year on all parts from date of purchase.  
Heating Elements warranted for life of unit.

# SHIPPING

Approximately 305 lbs. F.O.B. Bradenton, Florida

**MODEL**  
**CR 2/PC-6**

**THE COMPLETE BAKING CENTER**

**DELUXE**  
EQUIPMENT COMPANY, INC.