

SPECIFICATIONS

CR 2-4 SD

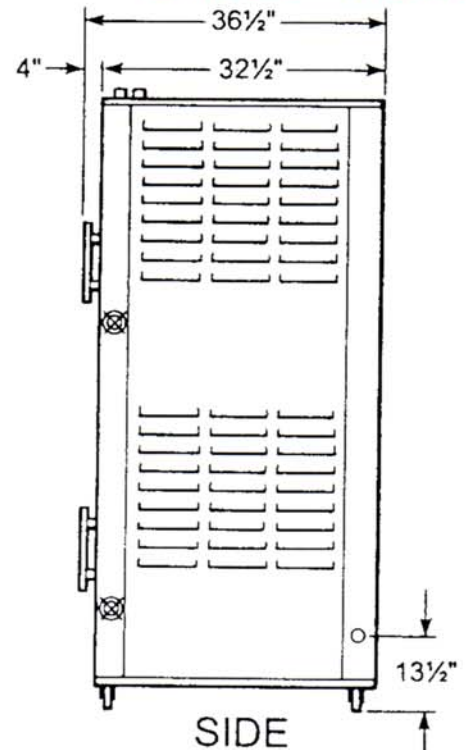
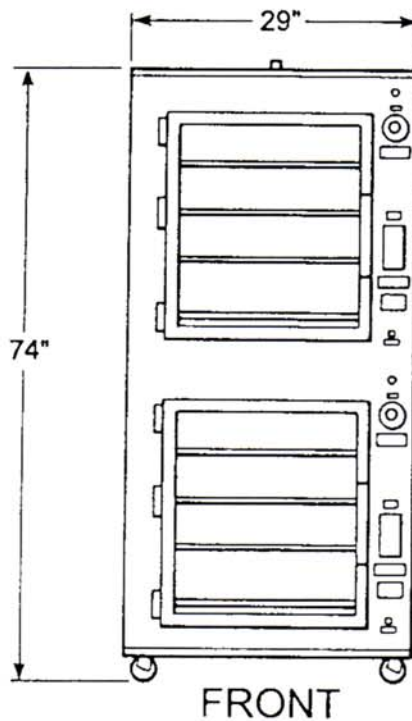
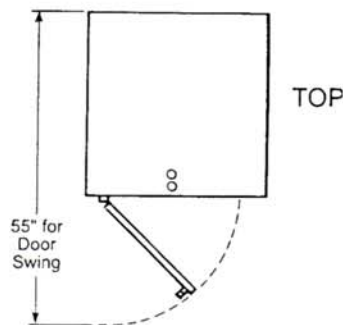
Interior Dimensions

Each Section:

19" Width
30" Depth
28" Height

Overall Dimensions:

29" Width
36" Depth
74" Height with Casters



ELECTRICAL

CR 2-4 SD Oven: 5800 watts • 5.8 kw Each Section

MODEL#	VOLTAGE AND PHASE	NEUTRAL	TOTAL LOAD(AMPS)	CONNECTION TYPE
CR 2-4 SD	120/208-1-60	REQUIRED	28.0	NO CORD
	120/240-1-60	REQUIRED	24.0	NO CORD
	120/208-3-60	REQUIRED	16.25	NO CORD
	120/240-3-60	REQUIRED	14.0	NO CORD

**Please Specify Electrical Requirements When Ordering

WARRANTY

One Full Year on all parts from date of purchase

SHIPPING

Approximately 500 lbs. F.O.B. Bradenton, Florida

MODEL CR 2-4 SD

8 PAN DOUBLE OVEN
ONLY 9 SQUARE FEET OF FLOOR SPACE

