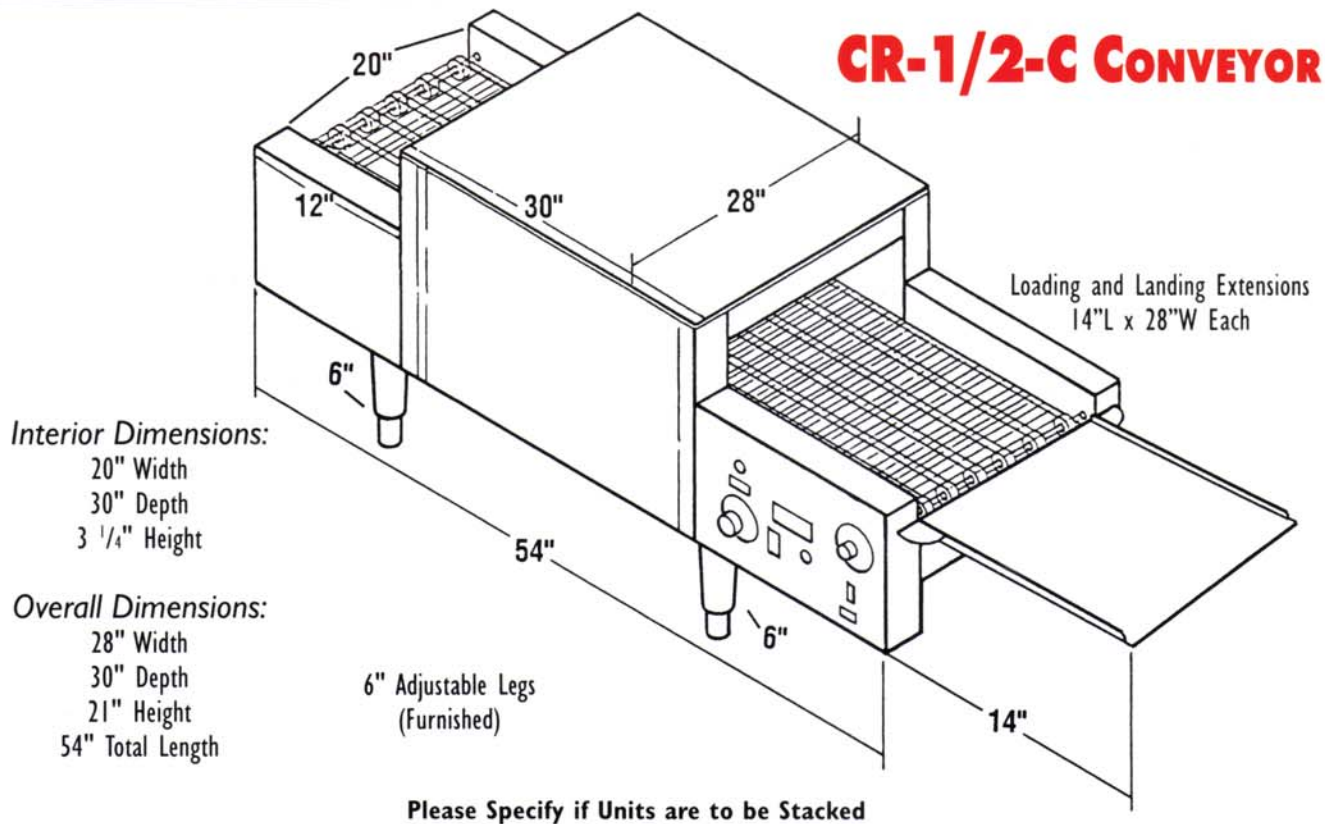


# SPECIFICATIONS

## CR-1/2-C CONVEYOR



**Interior Dimensions:**

- 20" Width
- 30" Depth
- 3 1/4" Height

**Overall Dimensions:**

- 28" Width
- 30" Depth
- 21" Height
- 54" Total Length

6" Adjustable Legs  
(Furnished)

Please Specify if Units are to be Stacked

# ELECTRICAL

## CR-1/2-C: 7350 watts • 7.35 kw

MODEL#	VOLTAGE AND PHASE	NEUTRAL	TOTAL LOAD(AMPS)	CONNECTION TYPE
CR-1/2-C	120/208-1-60	REQUIRED	33.0	NO CORD
CONVEYOR	120/208-3-60	REQUIRED	19.0	NO CORD
	120/240-1-60	REQUIRED	29.0	NO CORD
	120/240-3-60	REQUIRED	17.0	NO CORD

\*\*Please Specify Electrical Requirements When Ordering

\*Requires NEMA 5-4 OR Receptacle

# WARRANTY

One Full Year on all parts from date of purchase

# SHIPPING

Approximately 300 lbs. F.O.B. Bradenton, Florida

## MODEL CR-1/2-C

### CONVEYOR OVEN

ELECTRONICALLY MONITORED HEAT SOURCE TOP & BOTTOM  
PAR BAKED OR FRESH DOUGH PIZZAS - BISCUITS - COOKIES

