

# SPECIFICATIONS

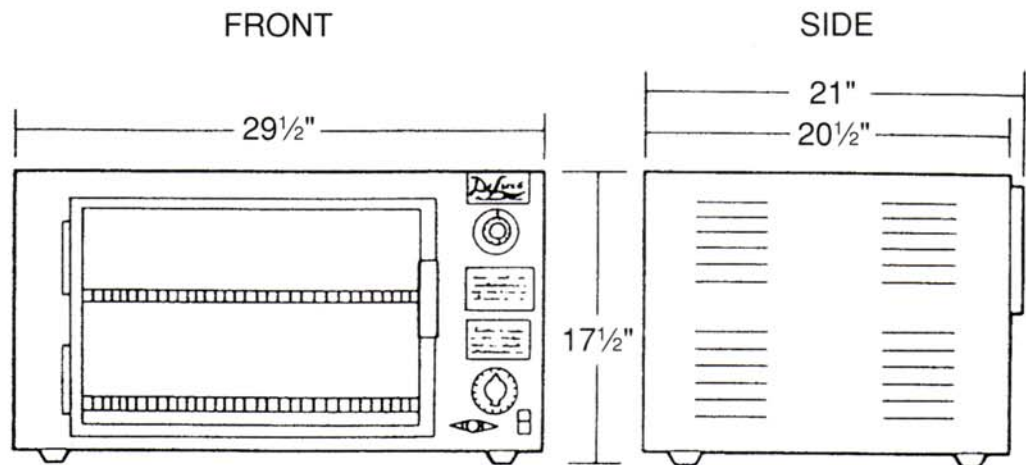
## CR-1/2-BR

### Interior Dimensions:

13" Height  
18 <sup>3</sup>/<sub>4</sub>" Width  
19 <sup>1</sup>/<sub>2</sub>" Depth

### Exterior Dimensions

17 <sup>1</sup>/<sub>2</sub>" Height  
29 <sup>1</sup>/<sub>2</sub>" Width  
20 <sup>1</sup>/<sub>2</sub>" Depth



ALLOW 2" MINIMUM VENTILATION  
CLEARANCE – RIGHT-HAND SIDE

# ELECTRICAL

**CR-1/2-BR: 2220 watts**

MODEL#	VOLTAGE AND PHASE	NEUTRAL	TOTAL LOAD(AMPS)	CONNECTION TYPE
CR-1/2-BR	120-1-60	REQUIRED	18.5	6' POWER CORD

# WARRANTY

One Full Year on all parts from date of purchase

# SHIPPING

Approximately 96 lbs. F.O.B. Bradenton, Florida

MODEL  
**CR-1/2-BR**

**DE LUXE**  
EQUIPMENT COMPANY, INC.